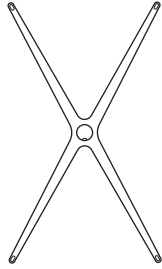
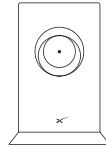


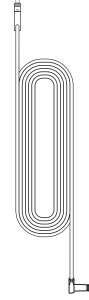
Dish



Base



Router



Starlink Cable
15.2 m
(50 ft)



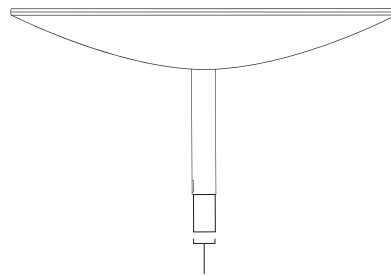
AC Cable
1.8 m
(6 ft)

DISH

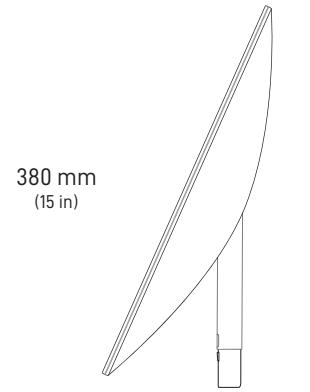


513 mm
(20.2 in)

303 mm
(11.9 in)



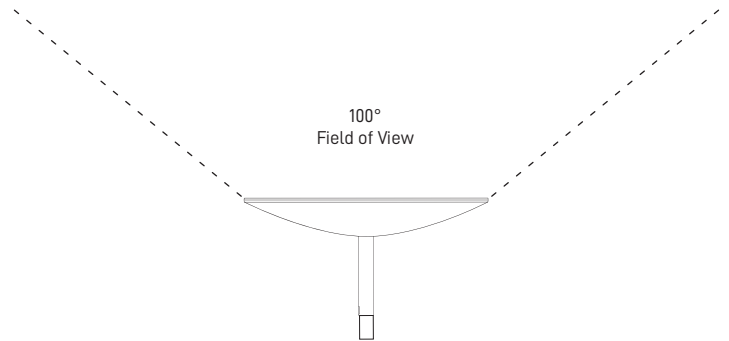
34 mm
(1.3 in)

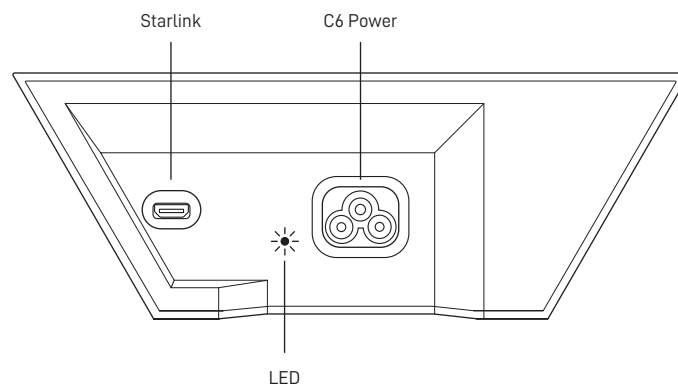
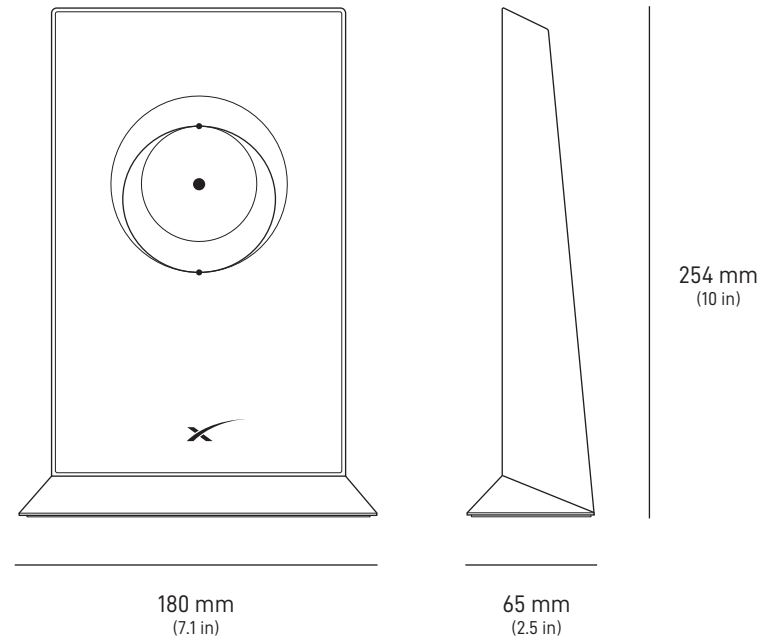


380 mm
(15 in)

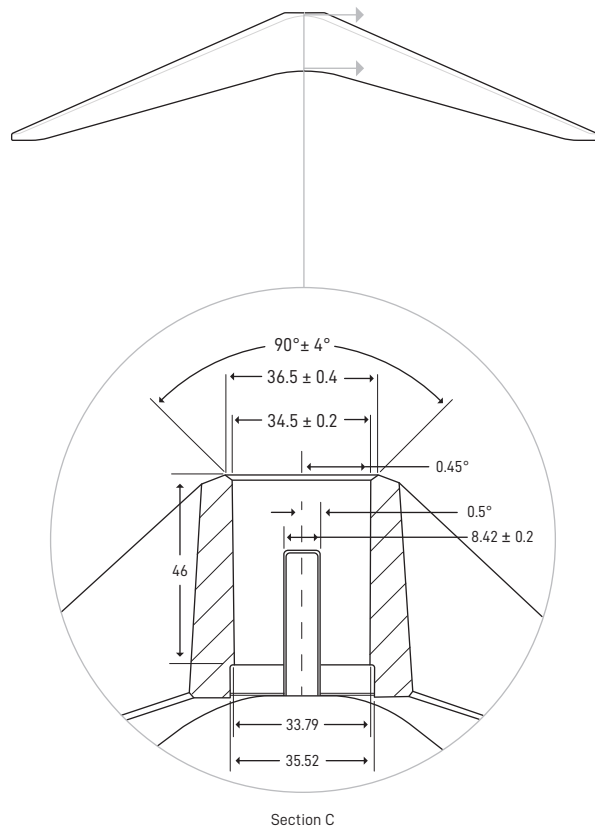
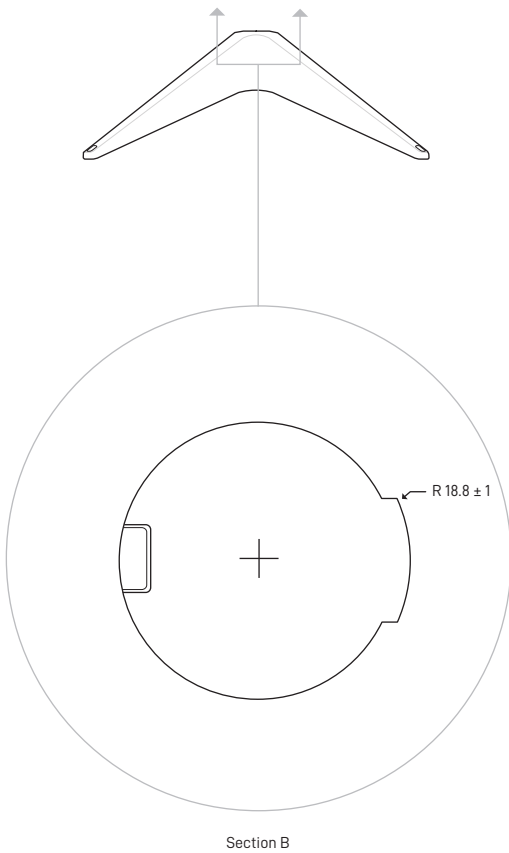
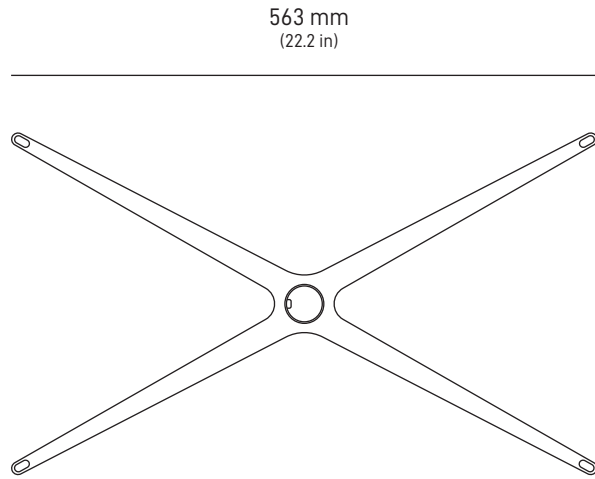
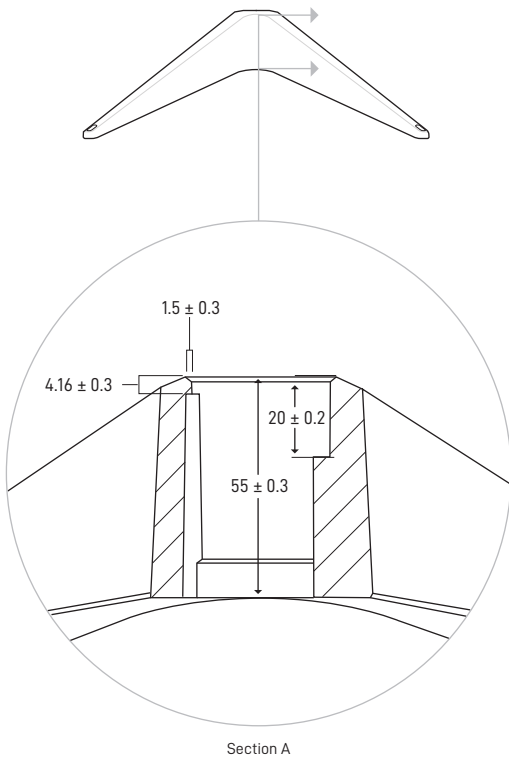
544 mm
(21.4 in)

| | |
|------------------------------|--|
| Antenna | Electronic Phased Array |
| Field of View | 100° |
| Orientation | Motorized Self Orienting |
| Dish Weight | 2.9 kg (6.4 lbs) without Cable 3.6 kg (7.9 lbs) with 15.2 m (50 ft) Cable |
| Environmental Rating | IP54 |
| Operating Temperature | -30°C to 50°C (-22°F to 122°F) |
| Wind Speed | Operational: 80 kph+ (50 mph+) |
| Snow Melt Capability | Up to 40 mm / hour (1.5 in / hour) |
| Power Consumption | Average: 50-75 W |

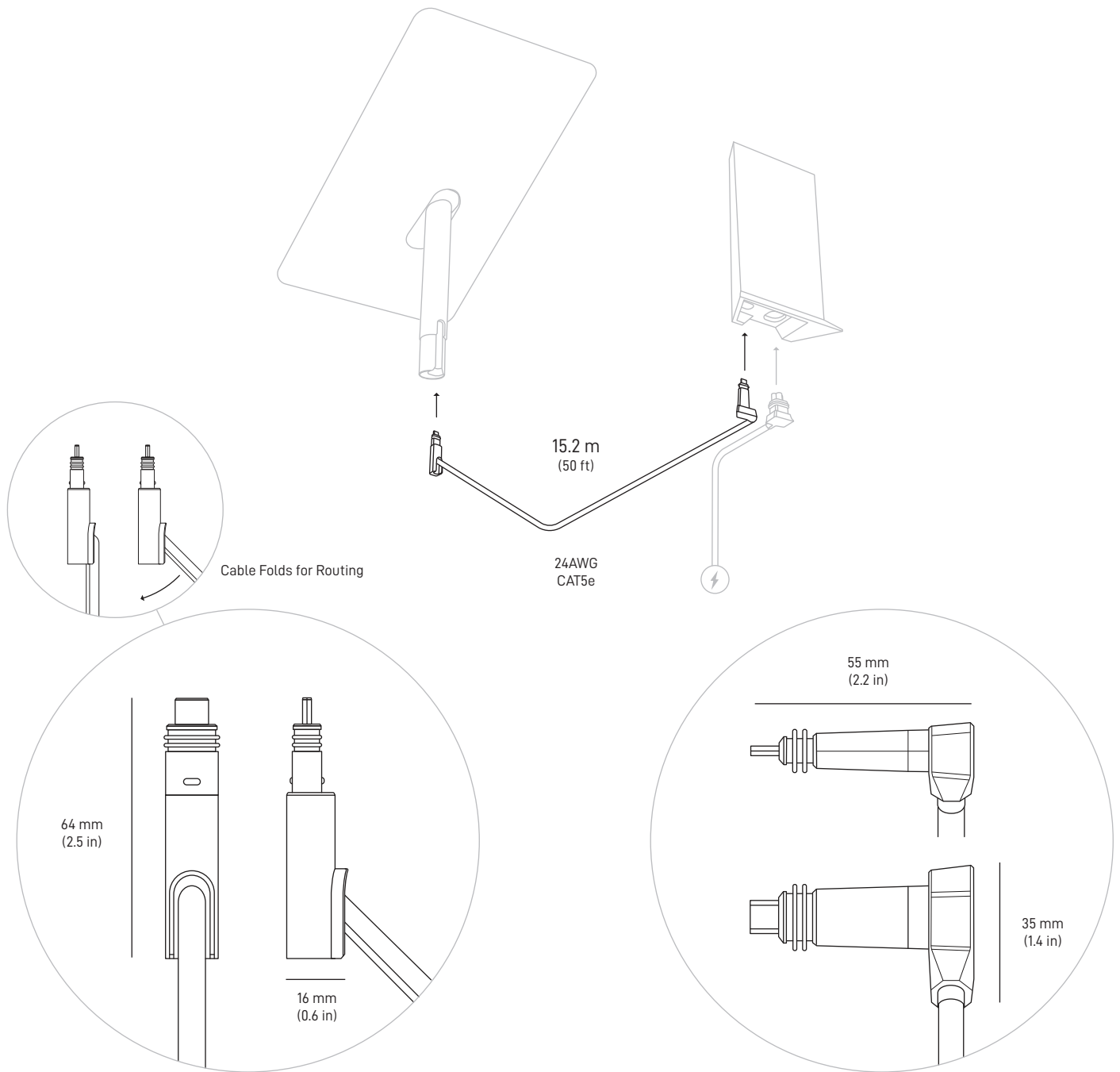




| | |
|------------------------------|--|
| Wi-Fi Technology | 802.11ac Dual Band |
| Generation | Wi-Fi 5 |
| Radio | Dual Band -3 x 3 MIMO |
| Operating Temperature | -30°C to 50°C (-22°F to 122°F) |
| Weight | 1 kg (2.2 lbs) |
| Security | WPA2 |
| Range | Up to 185 m ² (2000 ft ²) *Varies on placement, interference, and building materials |
| Environmental Rating | IP54 - Configured for Indoor Use |
| Power Indicator | White LED Base of Router |
| Mesh Compatibility | Compatible with up to 12 Starlink Nodes |
| Devices | Connect up to 128 devices |



122 mm
(4.8 in)



| End | Pin | Ethernet Pin | Wire Color | Pin | End |
|------|------------|--------------|--------------|----------|-------|
| Dish | A1, A2 | B+ | Orange White | A1, A2 | Wi-Fi |
| | A3, A4 | B- | Orange | A3, A4 | |
| | A5, A6 | A+ | Green White | A5, A6 | |
| | A7, A8 | A- | Green | A7, A8 | |
| | B1, B2 | -- | N / C | B1, B2 | |
| | B3, B4 | -- | N / C | B3, B4 | |
| | B5 | D+ | Brown White | B5 | |
| | B6 | D- | Brown | B6 | |
| | B7 | C- | Blue White | B7 | |
| | B8 | C+ | Blue | B8 | |
| | B9, B10 | -- | N / C | B9, B10 | |
| | B11, B12 | -- | N / C | B11, B12 | |
| | Shield Can | | Drain Wire | Shell | |

